

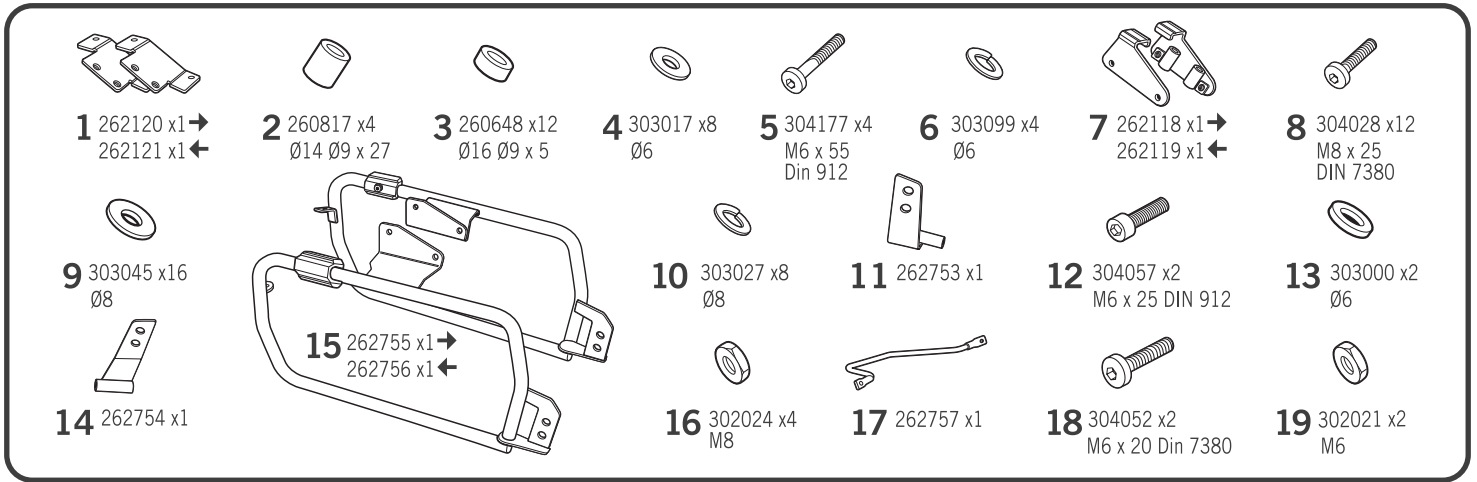
# SHAD

## DUCATI MULTISTRADA 950/950S/1200/1260 '16-'21

DOML104P

**4P**  
SYSTEM

DESIGNED IN  
BARCELONA



### WARNING!

**GB** Do not fully tighten the screws until it is ensured that the KIT is correctly attached and aligned.

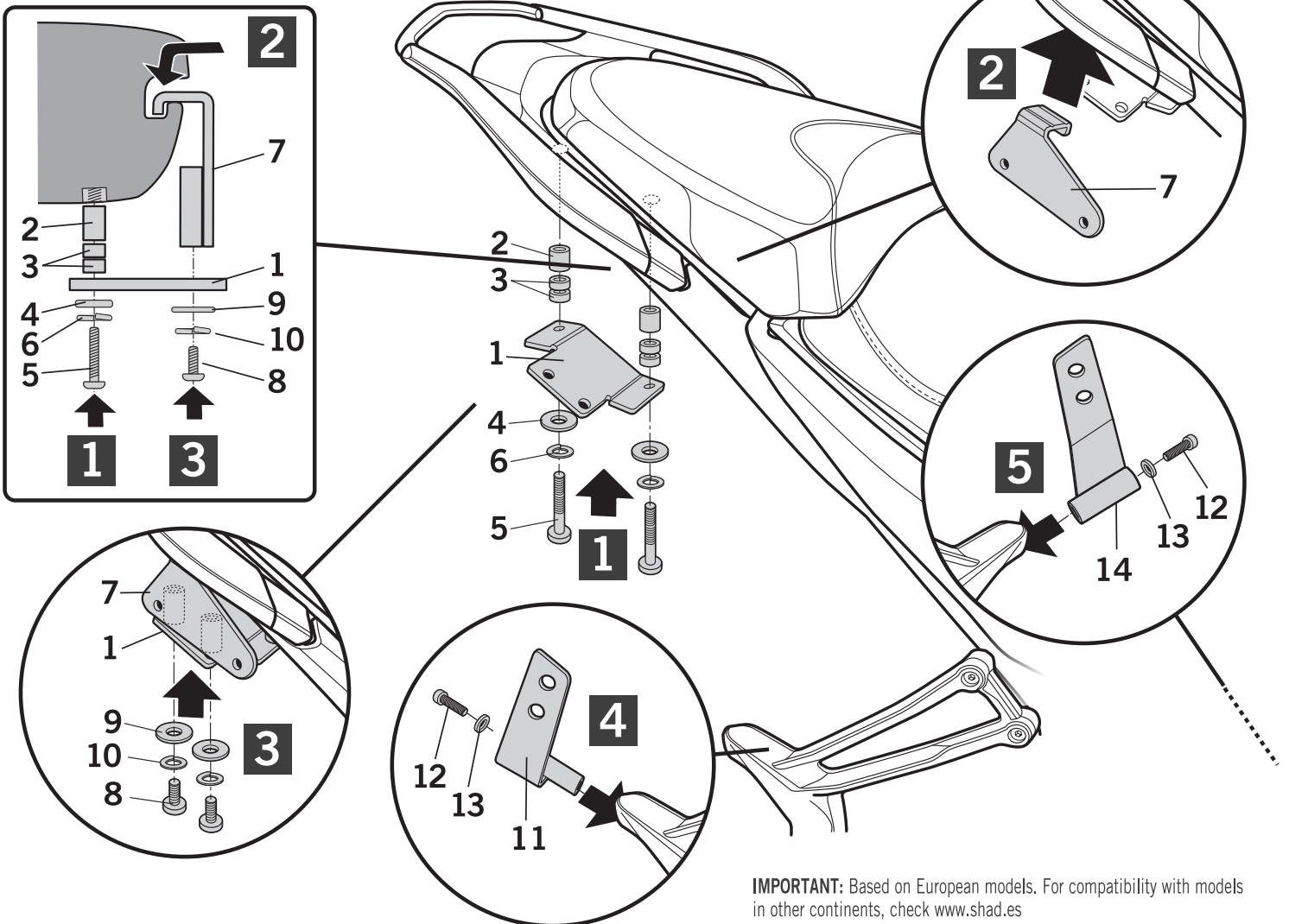
**E** No apretar los tornillos del todo hasta asegurarse que el KIT está correctamente colocado y alineado.

**D** Ziehen Sie die Schrauben nicht ganz fest, bevor Sie sich nicht vergewissert haben, daß der Bausatz korrekt eingestellt und ausgerichtet ist.

**I** Non stringere del tutto le viti fin tanto non si è sicuri che il kit è collocato correttamente e allineato.

**F** Ne pas serrer les vis avant d'être sûr que le KIT soit correctement positionné et ajusté.

**ATTENTION:** For a full equip assembly, mount the 4p system after the top master.



**IMPORTANT:** Based on European models. For compatibility with models in other continents, check [www.shad.es](http://www.shad.es)

# SHAD

DUCATI MULTISTRADA  
950/950S/1200/1260 '16-'21  
D0ML104P

**4P**  
SYSTEM

